

INTREPID CONTROL SYSTEMS, INC.

neoVI MOTE

Customizable CAN node at your fingertips...

Intrepid Control Systems presents neoVI MOTE. neoVI MOTE is a scriptable CAN node with 4 buttons and audible feedback. Specially designed for in-vehicle applications, it easily mounts to the dashboard and has a sunlight readable display.

Applications

- Use as triggering device for CAN data logger (works with any CAN tool).
- Use to adjust ECU algorithms on the fly using XCP or CCP.
- Build your own custom diagnostic tool.
- Simulate an ECU and make signals adjustable using buttons.
- Parking lot ECU flashing display.

Features

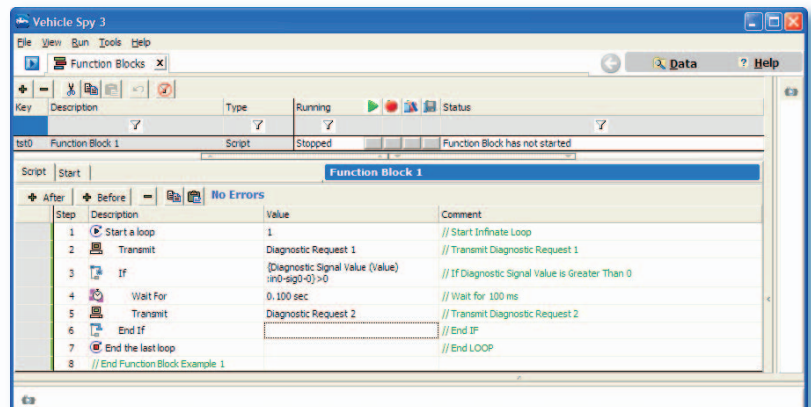
- Power management with automatic CAN or Button wakeup with under 200uA sleep current.
- RS232 port with power control for accessories such as Bluetooth or GPRS modem.
- CAN bus with settable termination.
- Buzzer allows different tones via script for various types of audible feedback.
- Sunlight readable display with automatic scroll feature to accommodate text wider than the display.



The scripting feature allows you to program the pendant to do complex message transmission and decoding for such protocols as XCP, GMLAN, ISO14229/UDS, and J1939.



The light weight pendant can be mounted to the dashboard using Velcro ensuring easy reach for the driver.



Vehicle Spy software Function Block scripts allow you to write powerful application that interact with CAN, the Buttons, Buzzer, Display and Serial Port.

Intrepid Control Systems, Inc.

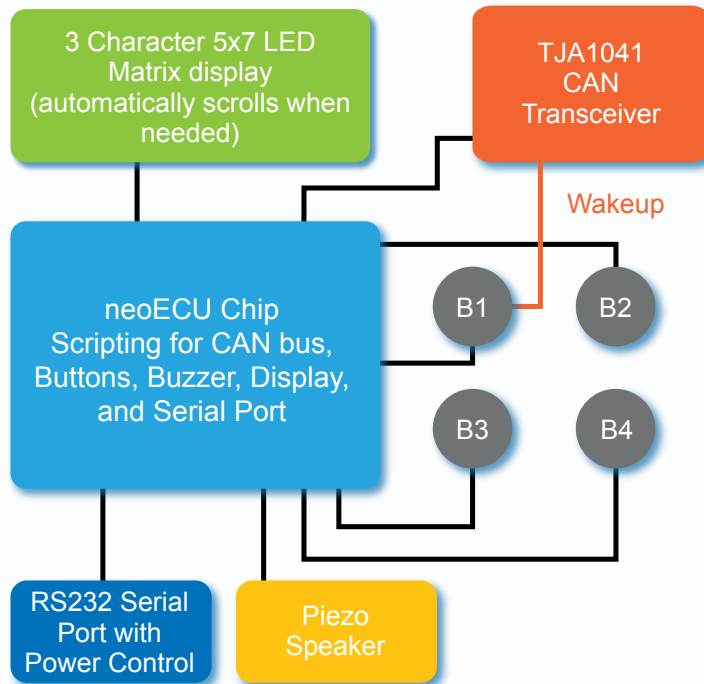
31601 Research Park Drive Madison Heights, MI 48071 USA (ph) +1-586-731-7950 (fax) +1-586-731-2274

www.intrepidcs.com

Rev.08242011

neoVI MOTE

Block Diagram

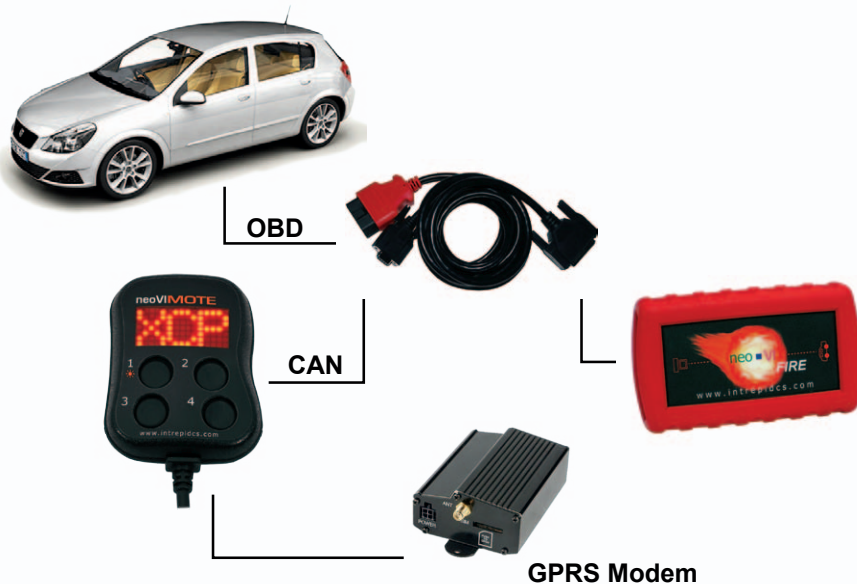


neoVI MOTE has a serial port to which you can attach an accessory. Here we have a bluetooth dongle that broadcasts data via wireless. The serial port power is controlled by script so the Bluetooth power does not drain your battery.



Example Application

Here the display acts as an interface for a datalogger.



The neoVI FIRE data cable allows you to connect directly to the pendant without any custom cabling.



The ValueCAN OBD cable allows you to connect directly to the vehicle without any custom cabling.

Ordering Information:

**Specifications subject to change. Please contact Intrepid for the latest information.*

Part Number	Description
neoVI-MOTE-Pendant	neoVI MOTE Pendant
neoVI-MOTE-Bluetooth	Bluetooth Accessory

Intrepid Control Systems, Inc.

31601 Research Park Drive Madison Heights, MI 48071 USA (ph) +1-586-731-7950 (fax) +1-586-731-2274

www.intrepidcs.com

Rev.08242011