

INTREPID CONTROL SYSTEMS, INC.

FlexRay EVB

Low Cost Experimentation with FlexRay Technology

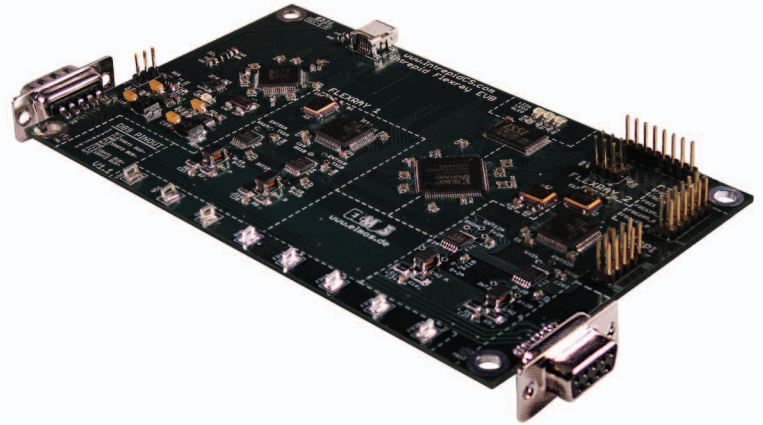
The Intrepid Control Systems, Inc. FlexRay Evaluation Board (EVB) enables quick setup and monitoring of a complete FlexRay network. This USB powered board includes two complete FlexRay nodes, each with channel A and B physical layers.

Benefits

- Experiment with FlexRay technology at a low cost.
- Rest Bus simulation of FlexRay networks.
- Interact with the Bosch ERAY FlexRay Core using Windows Development tools, such as Microsoft Visual Studio.
- Use as a SPI peripheral to other micro controller development boards.
- Develop FlexRay / Handler ECU code on the PC.
- Reconfigure FlexRay networks without using device programmers.

Features

- Two FUJITSU ASSP MB88121C FlexRay Controllers allow full network startup.
- Four ELMOS E910.54B FlexRay physical layer transceivers.
- USB powered – no other cables needed.
- FlexRay test points for hooking up an oscilloscope.
- Xilinx Spartan 3A FPGA connected to FlexRay signals for monitoring.
- USB 2.0 High Speed interface to the FlexRay board allow SPI configuration of FlexRay controllers, Transceivers, and FPGA.
- SPI Connector for connecting additional external board.
- Windows software for configuration of the board includes both a DLL and a GUI application.
- Vehicle Spy Professional for FlexRay 90 day trial version included with upgrade option to Vehicle Spy Professional.
- DB9 FlexRay connector allows FlexRay tool connection or daisy chaining of multiple FlexRay EVBs without cabling.
- Example C code for configuring the FlexRay network.



The FlexRay Evaluation board includes everything you need to get a FlexRay Network up and running.



Vehicle Spy Trial Edition includes a version of Vehicle Spy software that monitors FlexRay using the EVB's FPGA. Unlike the trial edition, the professional edition is not time limited and supports other networks, such as CAN.

Intrepid Control Systems, Inc.

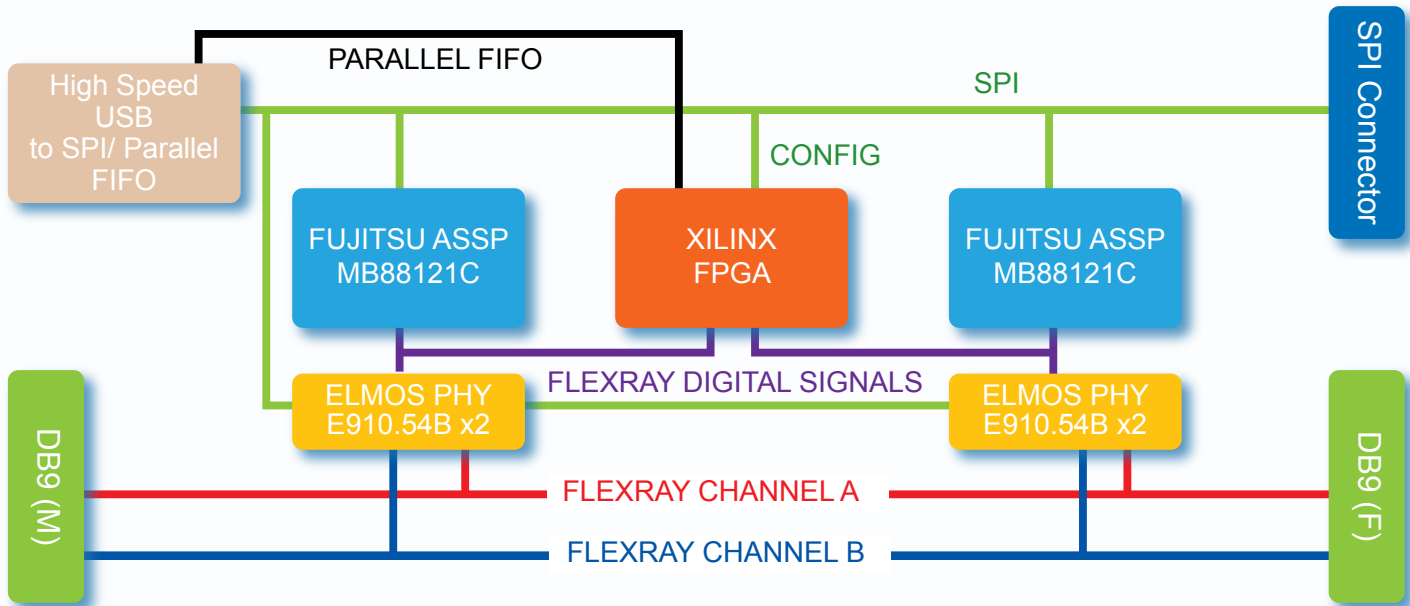
31601 Research Park Drive Madison Heights, MI 48071 USA (ph) +1-586-731-7950 (fax) +1-586-731-2274

www.intrepidcs.com

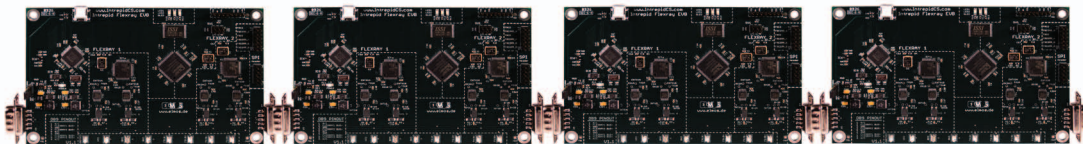
Rev.08242011

FlexRay EVB

FlexRay EVB Block Diagram



Multiple FlexRay evaluation boards can be “daisy-chained” to create larger networks. An 8 node FlexRay network is pictured below.



Ordering Information:

Part Number	Description
FlexRay-EVB	FlexRay EVB Evaluation board with Vehicle Spy for FlexRay trial edition.

*Specifications subject to change. Please contact Intrepid for the latest information.